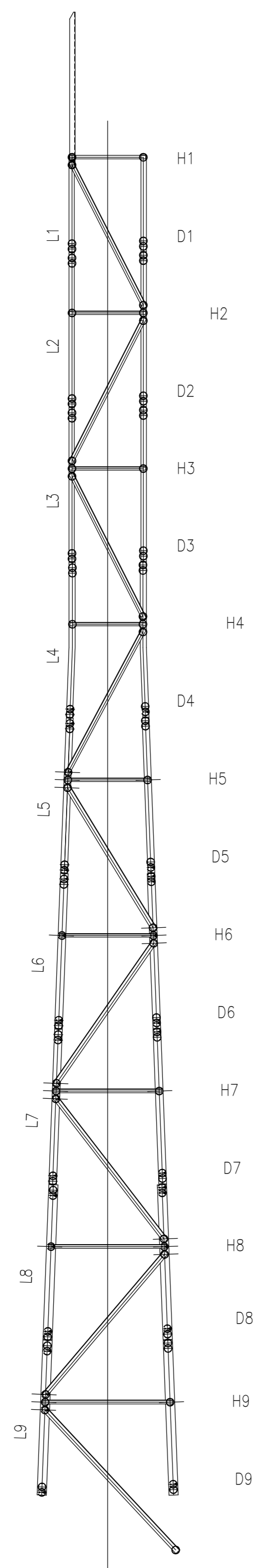
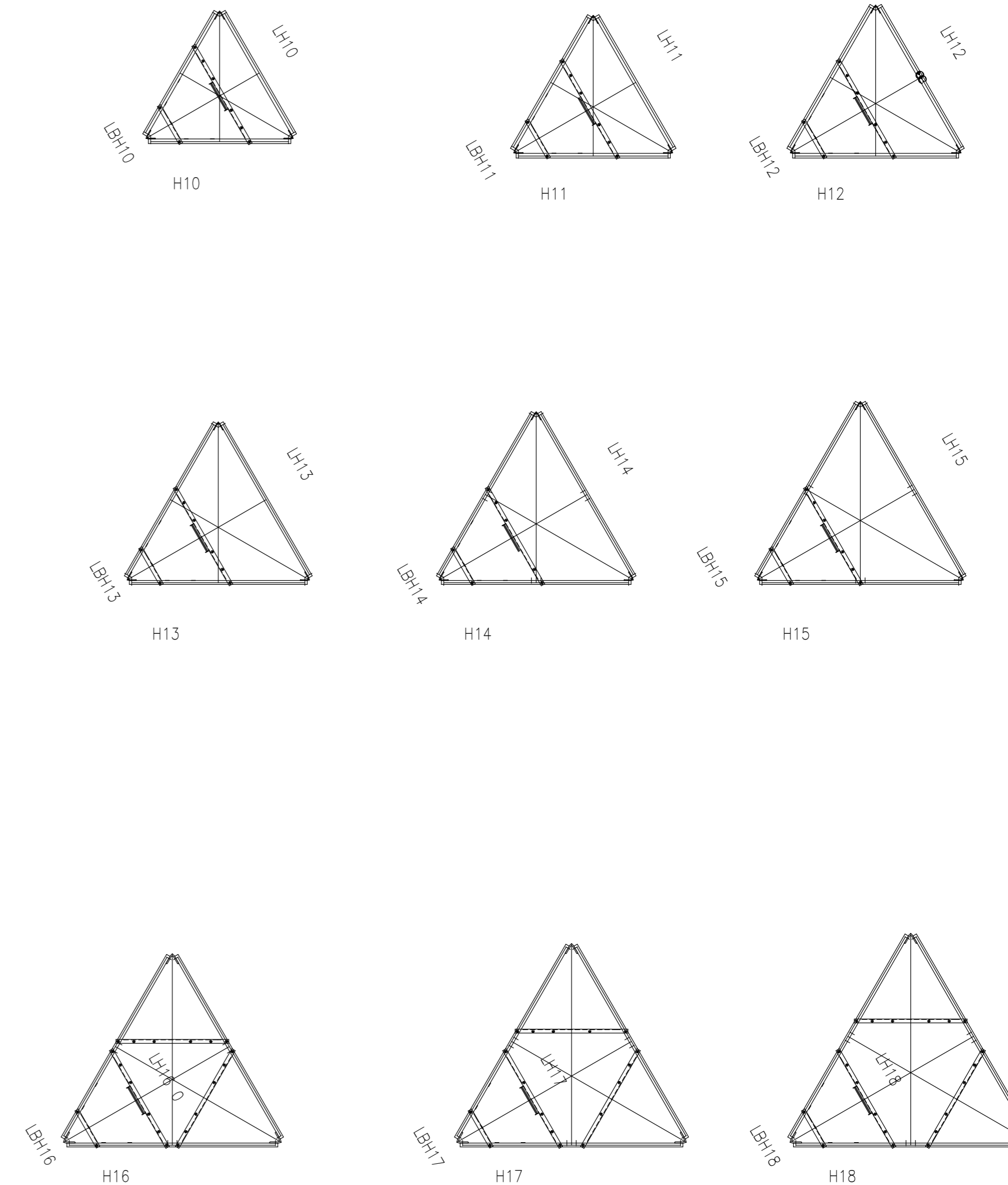
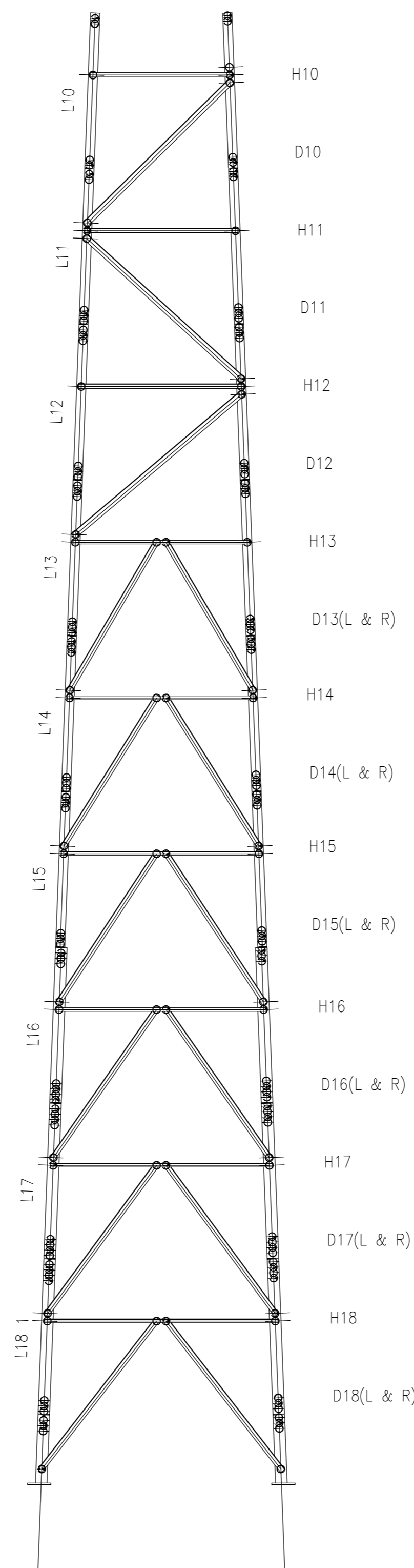
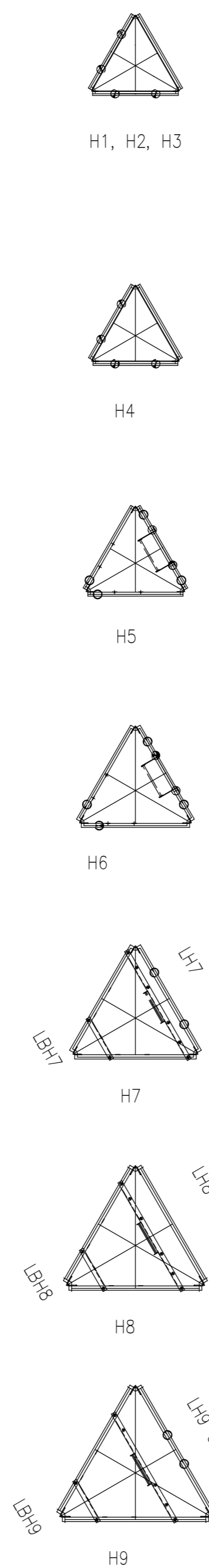


The contents of this drawing are Copyright and no portion may be copied or reproduced in any form without the written authority of the Owner

2005 © ANDREW SATCOM AFRICA



3 / CATLADDERS TYPE "CL3"



FOR GENERAL NOTES REF DWG No JCAD-DLM-000-001

ITEM No.	QTY	DESCRIPTION	MASS EACH kg
----------	-----	-------------	--------------

PERMISSIBLE DEVIATIONS FOR LENGTH MEASUREMENT IN MILLIMETERS															
TOLERANCE GRADE	SYMBOL	SURFACE FINISH	STANDARD MEASUREMENT												
			0.5 TO 3	3 TO 6	6 TO 30	30 TO 120	120 TO 315	315 TO 1000	1000 TO 2000	2000 TO 4000	4000 TO 8000	8000 TO 20000	20000 TO 60000	ANGLES IN DEGREES	
FINE	✓	N7	±0.05	±0.05	±0.1	±0.15	±0.2	±0.3	±0.4	±0.5	±0.6	±0.7	±0.8	±0.9	±0.1
GENERAL	✓	N8	±0.1	±0.1	±0.2	±0.3	±0.4	±0.5	±0.6	±0.7	±0.8	±0.9	±1.0	±1.1	±0.2
COARSE	✓	N9	±0.15	±0.2	±0.3	±0.4	±0.5	±0.6	±0.7	±0.8	±0.9	±1.0	±1.1	±1.2	±0.3
ROUGH	✓	N10	±0.2	±0.3	±0.4	±0.5	±0.6	±0.7	±0.8	±0.9	±1.0	±1.1	±1.2	±1.3	±0.4
STRUCTURAL	✓		-	-	±1	±1	±1	±1	±1	±1.6	±1.6	±1.6	±1.6	±1.6	±0.5

J-CAD CONSULTING ENGINEERS STRUCTURAL ENGINEERS & PROJECT MANAGERS		DRAWN Cain 2004/08/16		SCALE 1:50	
CHECKED		APPROVED		PRODUCT DESCRIPTION	
PLANE ANGLES ± ONE DEGREE		U.O.S.			

TITLE ANDREW SATCOM AFRICA			
PART NAME 36m LIGHT-MEDIUM DUTY MAST			
ASSEMBLY DIAGRAM (sheet 1 of 1)			
DWG SIZE	DRAWING NO.		REV.
A1	PREFIX JCAD	CODE 36m-DLM-001	SUFFIX 101
			0

CLIENT NAME: \_\_\_\_\_  
 SITE NAME: \_\_\_\_\_  
 ASA. ORDER No. \_\_\_\_\_  
 ASA. PROJECT No. \_\_\_\_\_

ANDREW SATCOM AFRICA

REFERENCE DWG	DESCRIPTION	REFERENCE DWG	DESCRIPTION	REV	DESCRIPTION OF CHANGE	BY DATE	E.C.O.
				△			
				△			
				△			
				△			
				△			
				△	ISSUED FOR CONSTRUCTION		