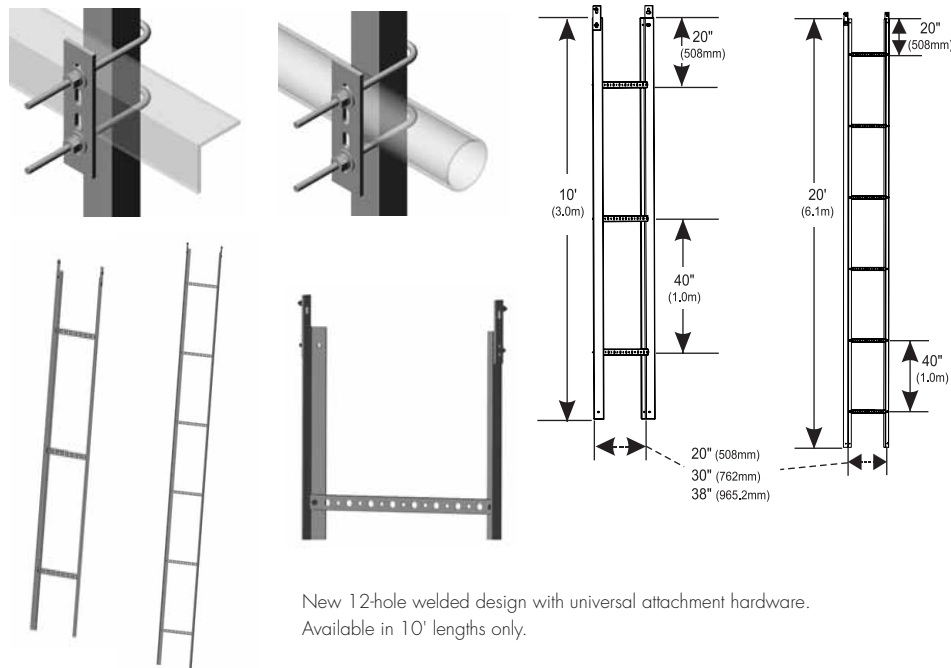




Universal Welded and Bolt Together Cable Ladder Kits

- 10' and 20' lengths now available for 6-, 9-, and 12-hole kits
- Universal attachment hardware for 1" to 4-1/2" round or angled member
- 7/16" and 3/4" holes for multiple hanger applications



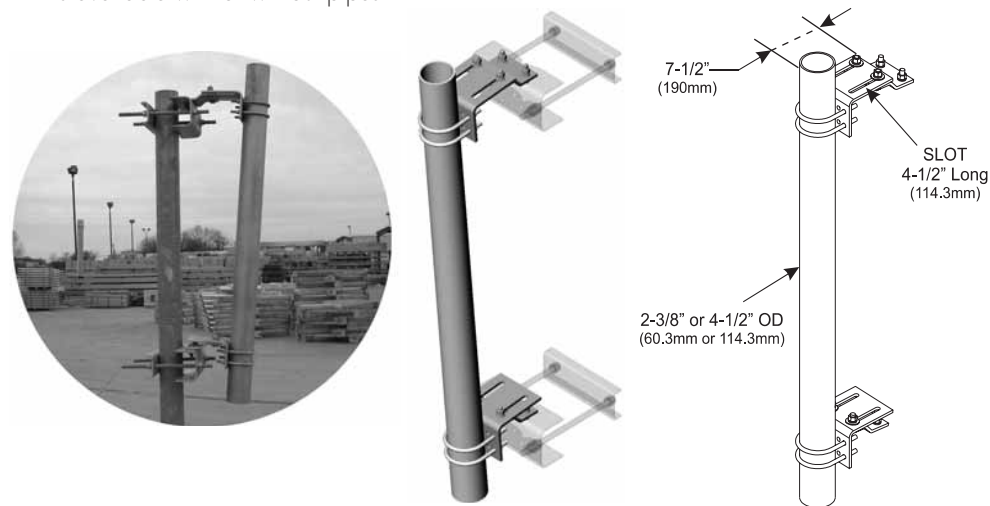
"Making improvements to be your end-to-end solutions provider"

Steel Products



Universal Taper Pipe Mount Slider Brackets

- Allows a 2-3/8" or 4-1/2" OD pipe to be u-bolted directly to the bracket
- Universal sliding taper bracket provides up to 7° of universal taper
- Mounts to the new two-piece Universal Saddle Mount
- Kits available with or without pipes



Adjustable Pipe Mounts; Adjustable Tapered Pipe Mounts; Adjustable Wall Mounts; Aluminum Stand-Off Sector Frames; Boom Gate Clamp Sets; Cantilever Wall Mount Bracket; Cellular Pipe Frames; Corner Pipe Mounts; Crossover Angles; Dish Stand-Off Bracket; Equipment Platform System Components; Monopole Chain Mounts, Low Profile; Monopole Heavy Duty Chain Mounts; Monopole Light Duty Chain Mounts; Monopole Stiff Arm Mounts; Pipe Mount Taper Kit; Quik-Tee Sector Frames; Self-Splicing Coax Bridge Kits; Stand-Off Pipe Mount; Stand-Off Wall Mount; Stiff Arm Kits; Stiff Arm Mount Bracket; Tower Stand-Off Sector Frames; Trapeze Kits; Universal Adjustable Stand-Off Mounts; Universal Adjustable Tapered Pipe Mount; Universal Cable Ladder Hardware Kit; Universal Cable Ladder Kits; Universal Ring Mounts; Universal Round Member Support Bracket; Universal Saddle Mounts; Universal Sector Frames; Universal Taper Pipe Mount Slider Brackets; Upper Support Rail Kits for Co-Location Platforms; USS Modular Platform Kits; Water Tower Roof-Top Assemblies; Water Tower Roof-Top Sector Frame Extensions; Water Tower Roof-Top Sector Frames; Water Tower Roof-Top Tripod Mount; Waveguide Stand-Off Brackets; Welded Universal Cable Ladder Kit; Z-Bracket, Wall Coax Support Covers

Call our Customer Support Center to receive our new Andrew Steel Products Catalog and look for all the new design changes we've made.

New Product Guide

MTS Wireless Components
Antenna Mounting and Site Related Products



One Company. A World of Solutions.

Andrew Corporation
10500 W. 153rd Street
Orland Park, IL 60462 USA

Customer Support Center
Toll-free from North America
Tel: 1-800-255-1479
Fax: 1-800-349-5444

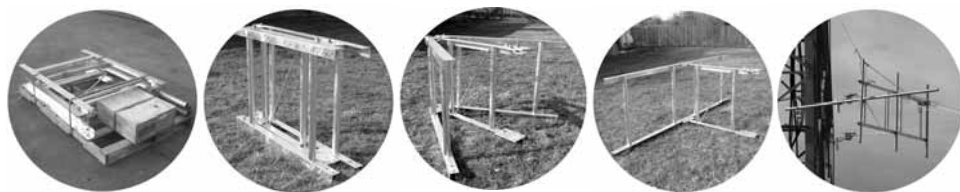
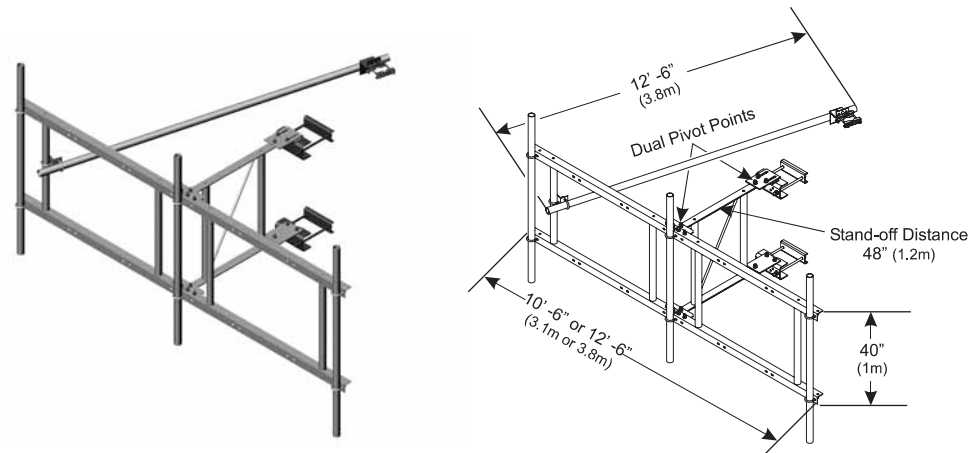
International
Tel: +1-708-873-2307
Fax: +1-708-349-5444

Internet: www.andrew.com

All designs, specifications, and availabilities of products and services presented in this bulletin are subject to change without notice.
Bulletin BR0100337-EN (2/05)
© 2005 Andrew Corporation, Orland Park, IL 60462 USA

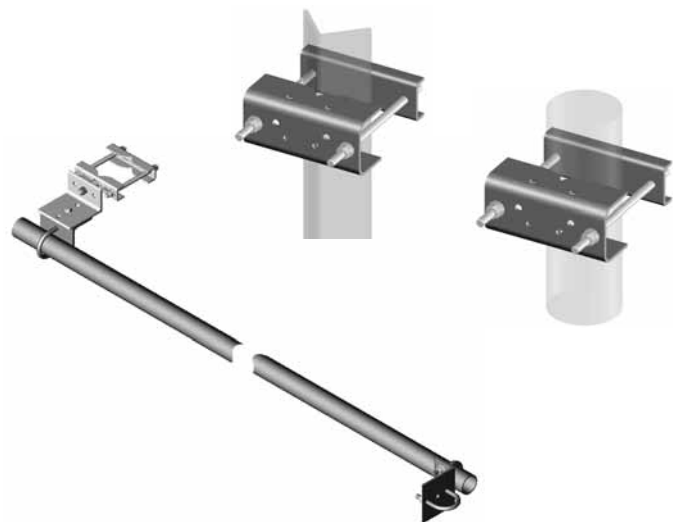
New QT-SF Quik-Tee Sector Frames "From skid to sky in minutes"

- Dual pivoting gate
- Light, welded frame design
- New two-piece Universal Saddle Mount
- Partially pre-assembled for ease of construction
- Universal sliding taper bracket provides up to 7° of universal taper



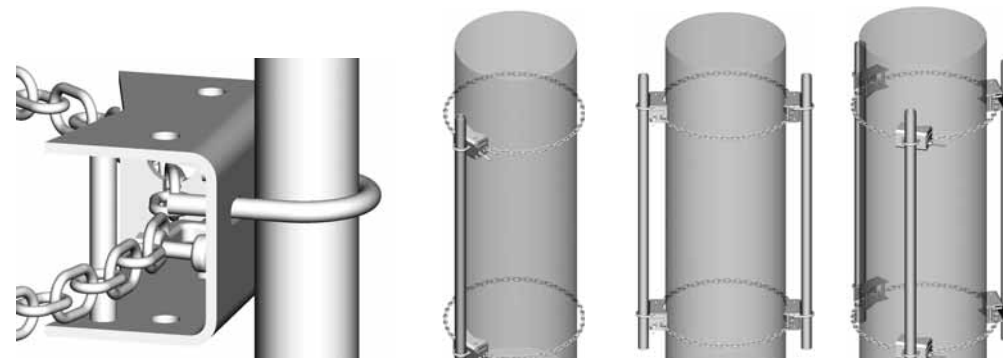
Universal Saddle Mount: mounts to straight or tapered legs up to 8" OD, 8" angle 60°, or 6" angle 90°. New two-piece formed saddle allows a 2-3/8" or 4-1/2" pipe to be bolted directly to the face.

Stiff Arm Mount Bracket: attaches a 10'-6" or 12'-6", 2-3/8" OD pipe to a round or angled tower member up to 4-1/2" using a new universal rotatable bracket.

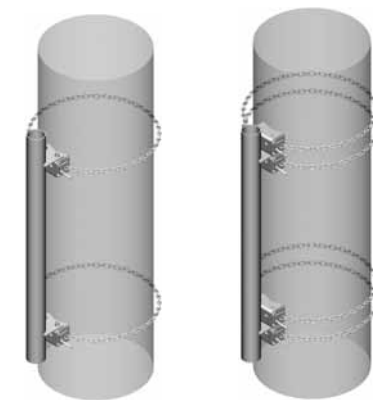


New Andrew Monopole Chain Mounts

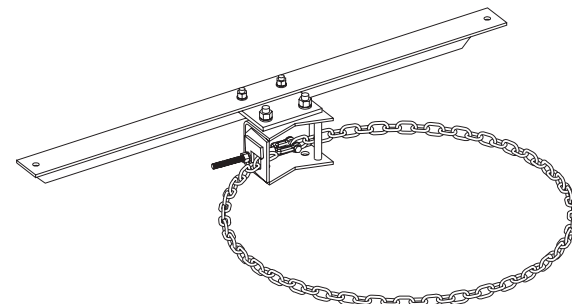
- Single, double, and triple antenna configurations for panel installation
- Light and heavy duty designs for microwave installation
- Mounts on 8" to 60" OD poles with new easy to install one-piece design
- Allows 2-3/8" OD pipes to be mounted directly to the face of the locking or sliding units
- One-piece formed design for easy installation



Low-Profile Chain Mounts

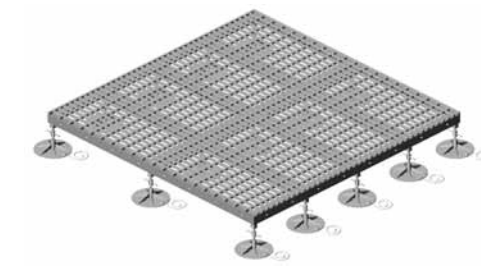


Light and Heavy Duty Chain Mounts

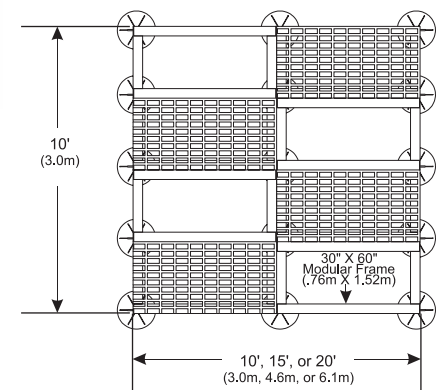


USS Modular Platform Kits for Ground and Roof-Top Installation

- Modular 30" x 60" bolt-together frames allow easy assembly
- Kits available in 3 sizes; 10' x 10', 10' x 15', and 10' x 20'
- Groundable and adjustable weight dispersion legs*
- Resistant to hurricane force winds
- Additional articulating dispersion legs available
- Modular platform accessories available



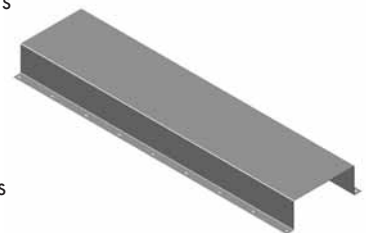
*US Patent 6,669,163



Coax Cover Kits for SnapStak™ Snap-in Hangers

Self-Splicing Coax Cover Kits for SnapStak Snap-in Hangers

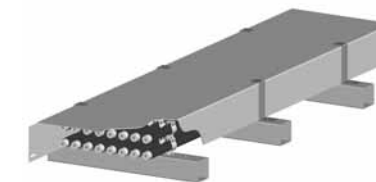
- Self-splicing cover design with PVC sleeper supports
- New hold-down clamps for simplified cover installation
- Stacks up to two 1-5/8" or three 7/8" SnapStak Hangers per hole



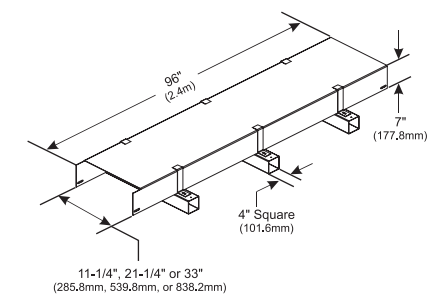
Wall Coax Support Cover

Z-Bracket Wall Coax Support Covers for SnapStak Hangers

- One-piece covers bolt directly to wall for easy installation
- Mounts directly over Z-brackets allowing adjustments in installation
- Stacks up to two 1-5/8" or three 7/8" SnapStak Hangers per hole



Self-Splicing Coax Cover Kit



- *Allows double stacking of 1-5/8" SnapStak Hangers
- ** Allows triple stacking of 7/8" SnapStak Hangers